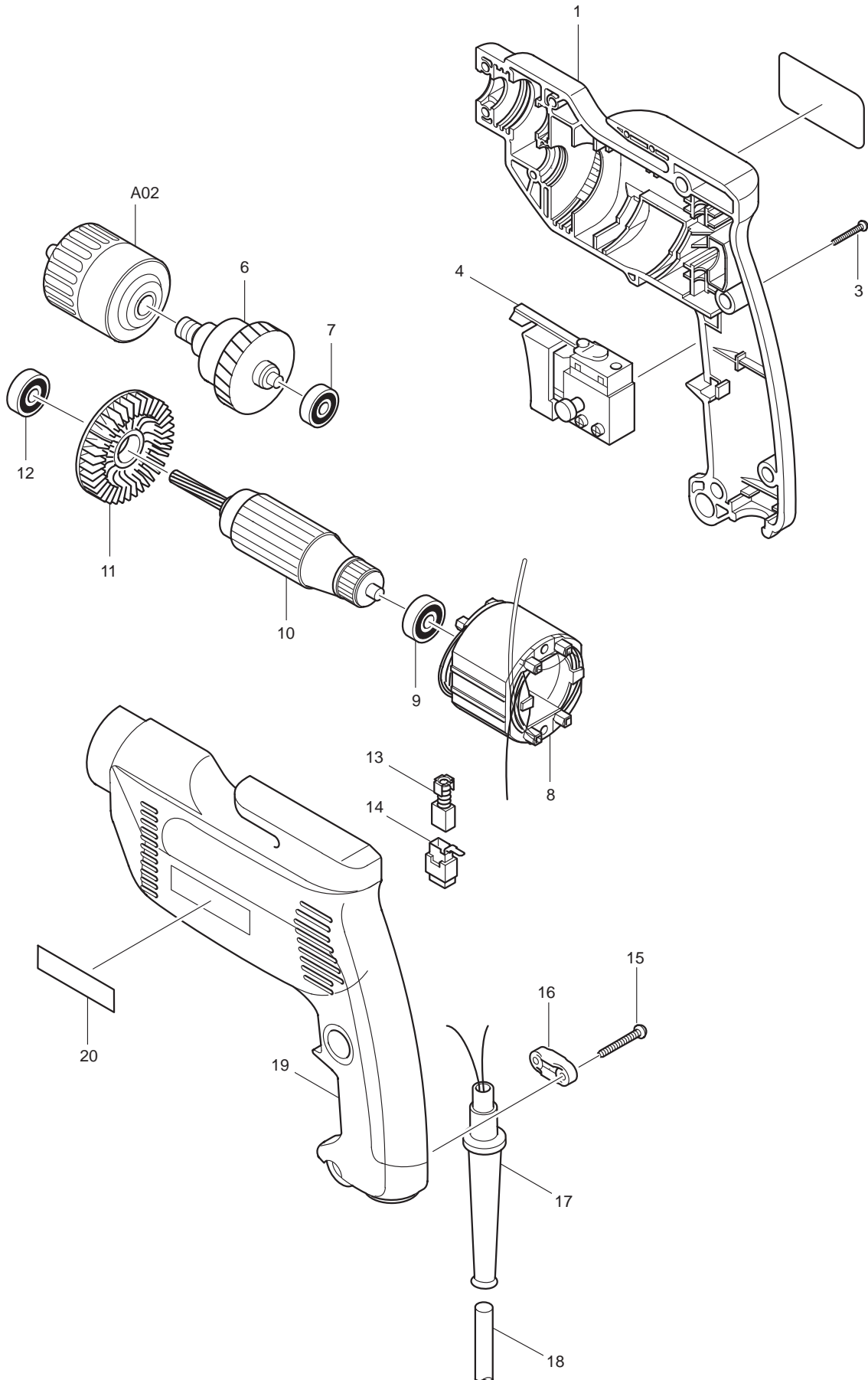




02 - 2010  
6408K  
3/8" KEYLESS DRILL



<b>Item No.</b>	<b>Type</b>	<b>Sub</b>	<b>Part No.</b>	<b>Description</b>	<b>Qty</b>	<b>Unit</b>
1			182862-9	HOUSING SET (OLD# 416149-0 - HANDLE RIGHT)	1	SET
		INC.		Item No. 19		
3			265995-6	TAPPING SCREW 4X18	8	PC.
4			651986-7	SWITCH TG803TLB-1 (OLD# 651987-5 - N/L/A)	1	PC.
6			153246-8	GEAR COMPLETE	1	PC.
7			211020-1	BALL BEARING 626Z	1	PC.
8			633336-8	FIELD 115V	1	PC.
9			211030-8	BALL BEARING 627Z	1	PC.
10			517196-5	ARMATURE ASS'Y 115V	1	PC.
		INC.		Item No. 9,11,12		
11			241881-5	FAN 52	1	PC.
12			211030-8	BALL BEARING 627Z	1	PC.
13	1		191927-6	CARBON BRUSH CB-407 2PC/SET (W/O ORIGIN)	1	SET
	2		195007-0	CARBON BRUSH CB-407 2PC/SET (W/ ORIGIN)	1	SET
14			643936-6	BRUSH HOLDER	2	PC.
15			265995-6	TAPPING SCREW 4X18	2	PC.
16			687063-9	CORD CLAMP	1	PC.
17			682502-4	CORD GUARD 8-85	1	PC.
			664064-4	CORD W/2P-18-2.5M, SJ (OLD# 664013-1)	1	PC.
19			182862-9	HOUSING SET (OLD# 416150-5 HANDLE LEFT)	1	SET
		INC.		Item No. 1		
20			819063-3	MAKITA LABEL	1	PC.
<b><u>ACCESSORIES</u></b>						
A01	1		824444-8	PLASTIC CARRYING CASE	1	PC.
	2		A82500-7	PLASTIC CARRYING CASE	1	PC.
		INC.	A00182-5	SNAP LOCK (M)	2	PC.
		INC.	A00180-9	PLASTIC HANDLE (S)	1	PC.
A02	1		763154-1	KEYLESS DRILL CHUCK 10	1	PC.
	2		763132-1	KEYLESS DRILL CHUCK 10	1	PC.